



## OSRAM CLASSIC



### Benefits and features:

- Effective, reliable quality light at favourable prices (EMH = Economy Metal Halide).
- The most popular metal halide lamps available as basic versions: powerful and long-lasting, featuring the traditional qualities that have come to characterize OSRAM.
- Thanks to their excellent price performance ratio, the lamps are particularly suitable for application in discotheques, clubs and retail stores or for small stages.
- Available as single ended and double ended versions.

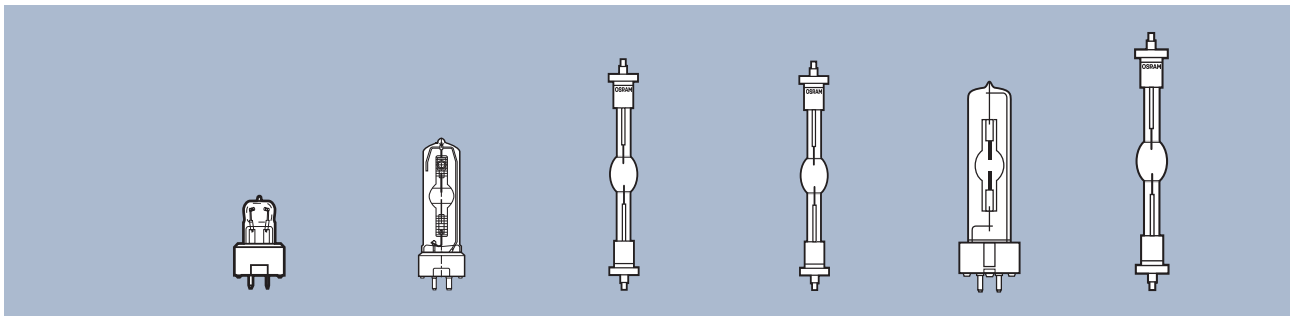
# OSRAM CLASSIC – the economic alternative.

Classic quality and top performance at a reasonable price.

SEE THE WORLD IN A NEW LIGHT



## TECHNICAL DATA



	<b>EMH 150W/SE/70</b>	<b>EMH 250W/SE/80</b>	<b>EMH 575W/DE/60</b>	<b>EMH 575W/DE/75</b>	<b>EMH 575/SE/75</b>	<b>EMH 1200W/DE/60</b>
Comparable to	HTI 150W	HSD 250W/80	HMI 575W/DXS	HMI 575W/DXS	HSR 575W/72	HMI 1200W/DXS
Wattage (W)	150	250	575	575	575	1,200
Voltage (V)	90	94	95	95	95	100
Average life (h)	500	2000	750	750	750	750
Colour temperature (K)	7,000	8,000	6,000	7,500	7,500	6,000

### COMPARISON

#### PROFESSIONAL

Optimal light output  
Excellent colour consistency, highest CRI  
Minimal colour shift, highest lumen maintenance  
Highest average service life  
XS pinch protection technology (XS = eXtreme Seal)  
Design support, technical assistance  
Made in Europe

**Light output**  
**Colour temperature/Colour rendering**  
**Performance/over lifetime**  
**Lifetime**  
**Thermal resistance**  
**Technical support**  
**Origin**

#### CLASSIC

High output, 10% below Premium  
Good colour consistency  
Low colour shift, high lumen maintenance  
75% of Professional  
Standard pinch technology  
Technical assistance  
Made in China

### PACKAGING EXAMPLE



#### OSRAM GmbH

Head Office  
Hellabrunnerstr. 1  
81543 Munich  
Phone: +49 (0) 89-62 13-0  
Fax: +49 (0) 89-62 13-20 20  
www.osram.de  
www.osram.com  
catalog.myosram.com/DE  
catalog.myosram.com/EN

#### OSRAM GmbH

Display/Optic  
Nonnendammallee 44  
13625 Berlin  
Phone: +49 (0) 30-33 86-21 74  
Fax: +49 (0) 30-33 86-23 59  
Email: info@osram.com

SEE THE WORLD IN A NEW LIGHT

