

AS 40/25

Main Features

- Same size as ARRISUN 40/25 but over 3 kg lighter
- Compensation for Cable Loss (CCL)
- Tubular steel yoke
- Two disk brakes with steel handle
- Cross Cooling allows safe operation at extreme tilt angles
- Weather resistant IP23 rating

The new AS 40/25 is an improved replacement for the seasoned ARRISUN 40/25. It uses the same housing as the new M40/25 and is thus of the same size, but over 3 kg lighter than the current ARRISUN 40/25. Since the accessory diameter has stayed the same, all existing lenses, barndoors and scrims can be reused.

CCL

The lamphead is equipped with a CCL module (compensation for cable loss). When operated with the new ARRI EB 2.5/4 kW with CCL, full power is maintained all the way to the lamp even when very long cables are used. This means uniformly high light output independent from cable length.



Steel yoke with two disc brakes

In order to hold even the heaviest accessories safely in place, the AS40/25 sports a tubular steel yoke and two disc brakes. A single, robust steel handle allows one-hand operation for tilting.

Cross Cooling

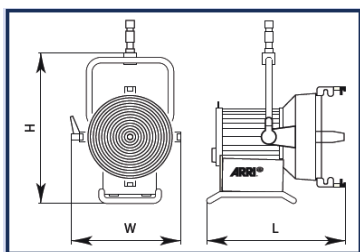
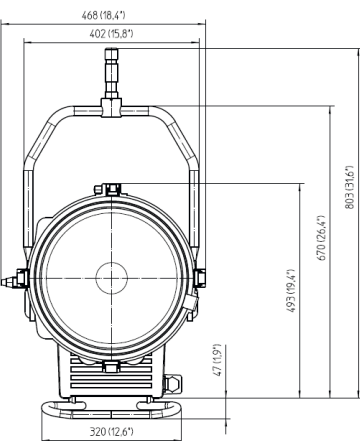
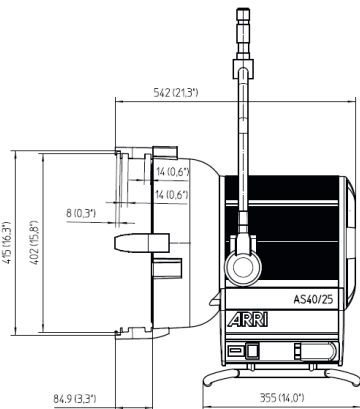
Like all TRUE BLUE ARRI lampheads, the AS40/25 implements cross cooling and allows thus safe operation even at extreme tilt angles. The electronics housing is spaced apart from the actual lamp housing to keep temperatures down and prolong the lifetime of electronic components. It is easy to open and to maintain.

IP 23

For outdoor use the AS40/25's IP23-rated weather resistance withstands even driven rain.

Technical Specifications

Order No.	Description
L2.37300.B	AS40/25 4000 W / 2500 W Daylight PAR Lamphead, manual, blue/silver, int. (VEAM)
L2.37300.F	AS40/25 4000 W / 2500 W Daylight PAR Lamphead, manual, blue/silver, Schaltbau (GTV-Standard)



Electronic Ballasts

L2.76650.0	EB 2.5/4 kW, CCL, ALF, 230 V, int. (VEAM)
L2.76640.0	EB 2.5/4 kW, ALF, 230 V, int. (VEAM)
L2.76641.0	EB 2.5/4 kW, ALF, 230 V, int. (VEAM), DMX
L2.76642.0	EB 2.5/4 kW, ALF, 230 V, Schaltbau
L2.76643.0	EB 2.5/4 kW, ALF, 230 V, Schaltbau, DMX

Accessories

L2.41200.0	Four Leaf Barndoor
L0.76864.0	5 Lens Kit, 300 mm, DROP-IN incl. Case
L2.81230.0	Set of 4 Scrims
L2.75620.0	Head to ballast cable, 2500 / 4000 W, 7 m, int. (VEAM)
L2.75620.C	Head to ballast cable, 2500 / 4000 W, 15 m, int. (VEAM)

Lamps

Metal Halide	4000 W/SE G38
Metal Halide	2500 W/SE G38

Specifications

Weight	19 kg
Reflector	PAR reflector
Dimensions	468 (W) x 511 (L) x 734 mm (H)
Mounting	28 mm spigot
Packed size	600 x 600 x 570 mm
Packed weight	34 kg
Protection Class	IP23
Certification	NRTL-US-C, CE, TÜV GS, CB

Photometric Data with 4000 W lamp

Throw (m)	10	15	20
Spot: 9°			
Output (lux)	45800	20356	11450
Diameter (m)	1.6	2.4	3.1
Narrow Flood: 20°x12°			
Output (lux)	20700	9200	5175
Diameter (m)	3.5 x 2.1	5.3 x 2.3	7.1 x 4.2
Flood: 42°x20°			
Output (lux)	6810	3027	1703
Diameter (m)	7.7 x 3.5	11.5 x 5.3	15.4 x 7.1
Super Flood: 49°			
Output (lux)	3040	1351	760
Diameter (m)	9.1	13.7	18.2
Super Flood Frosted: 50°			
Output (lux)	1850	822	463
Diameter (m)	9.3	14.0	18.7